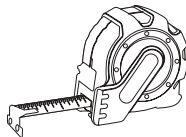
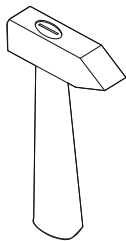
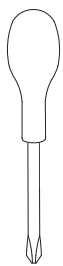
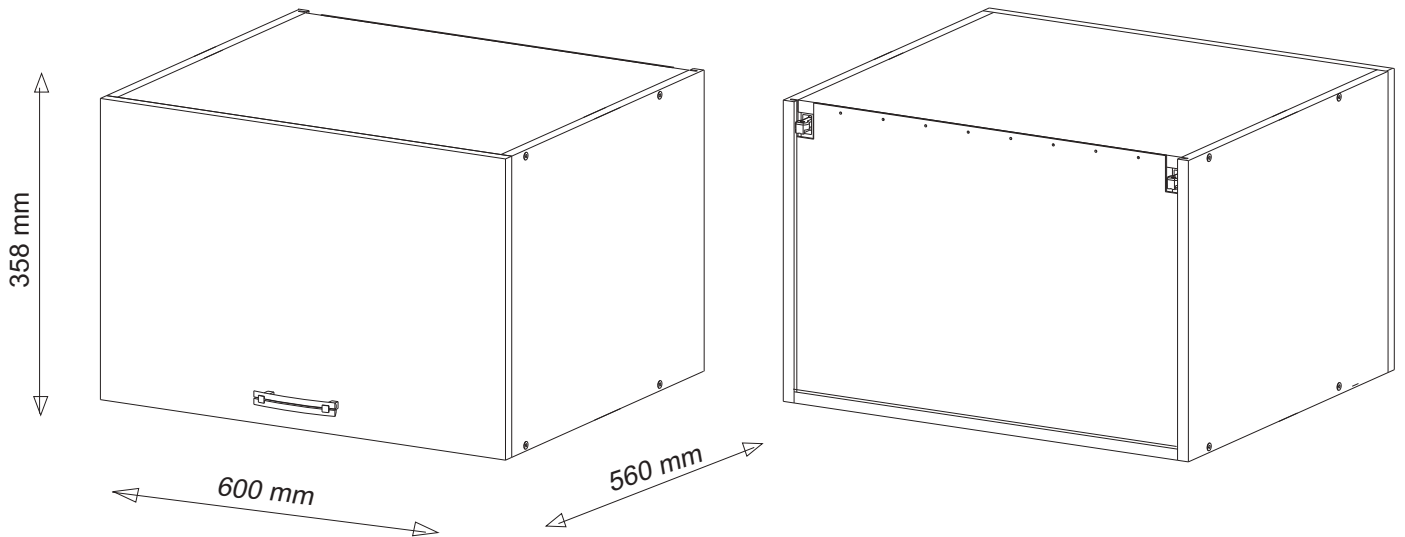
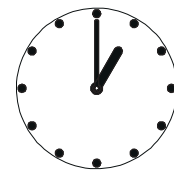
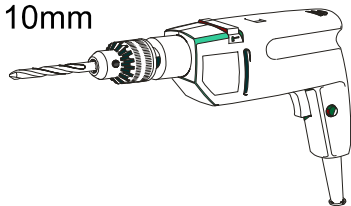


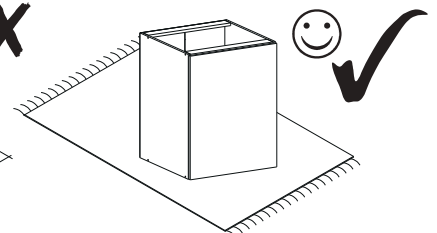
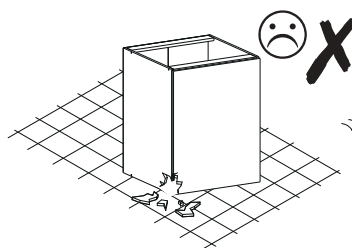
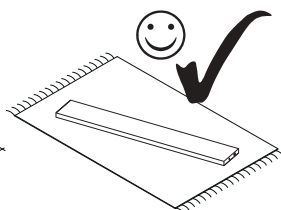
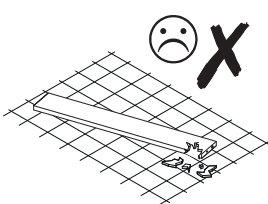
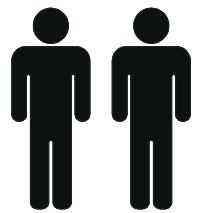
GO-60-GL56

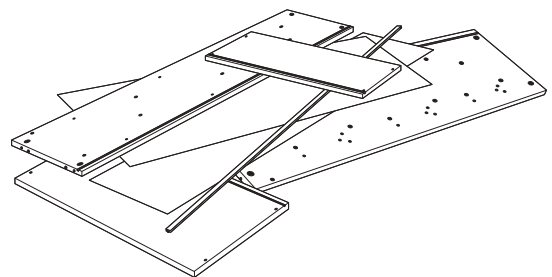
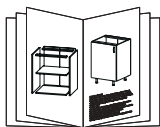
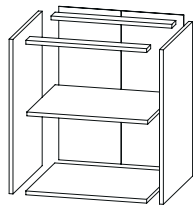
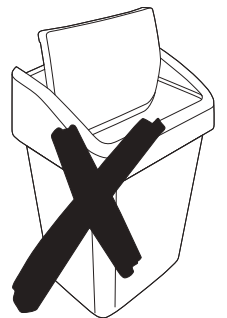
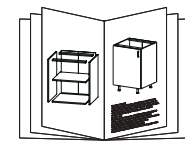
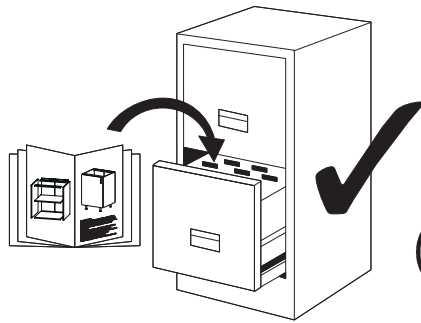
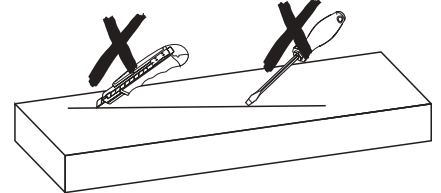
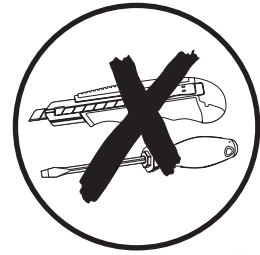
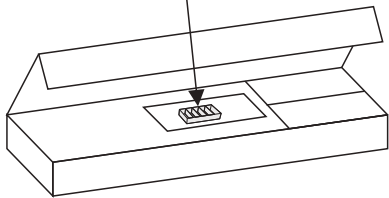
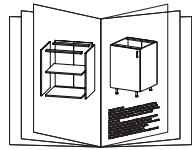


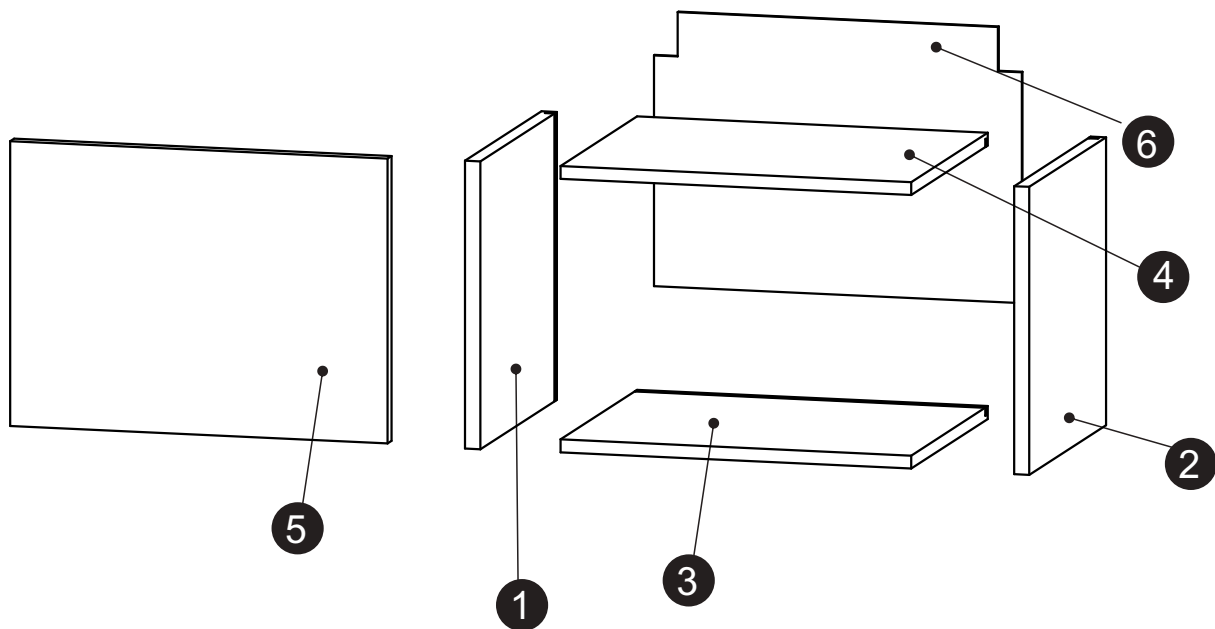
ϕ 5 mm
 ϕ 10 mm



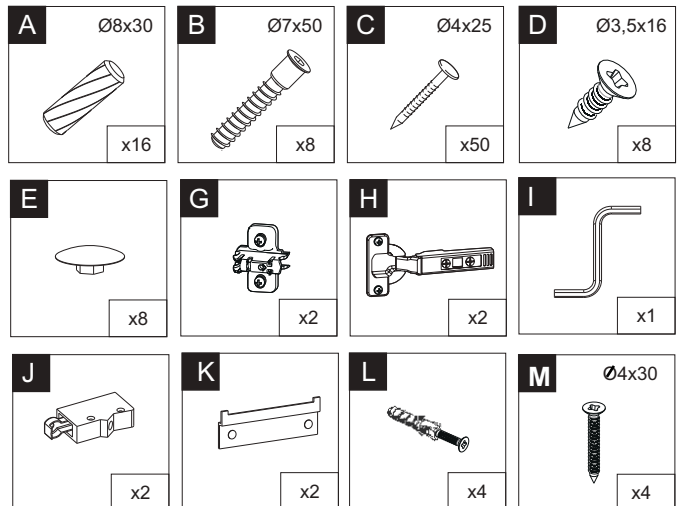
30 min

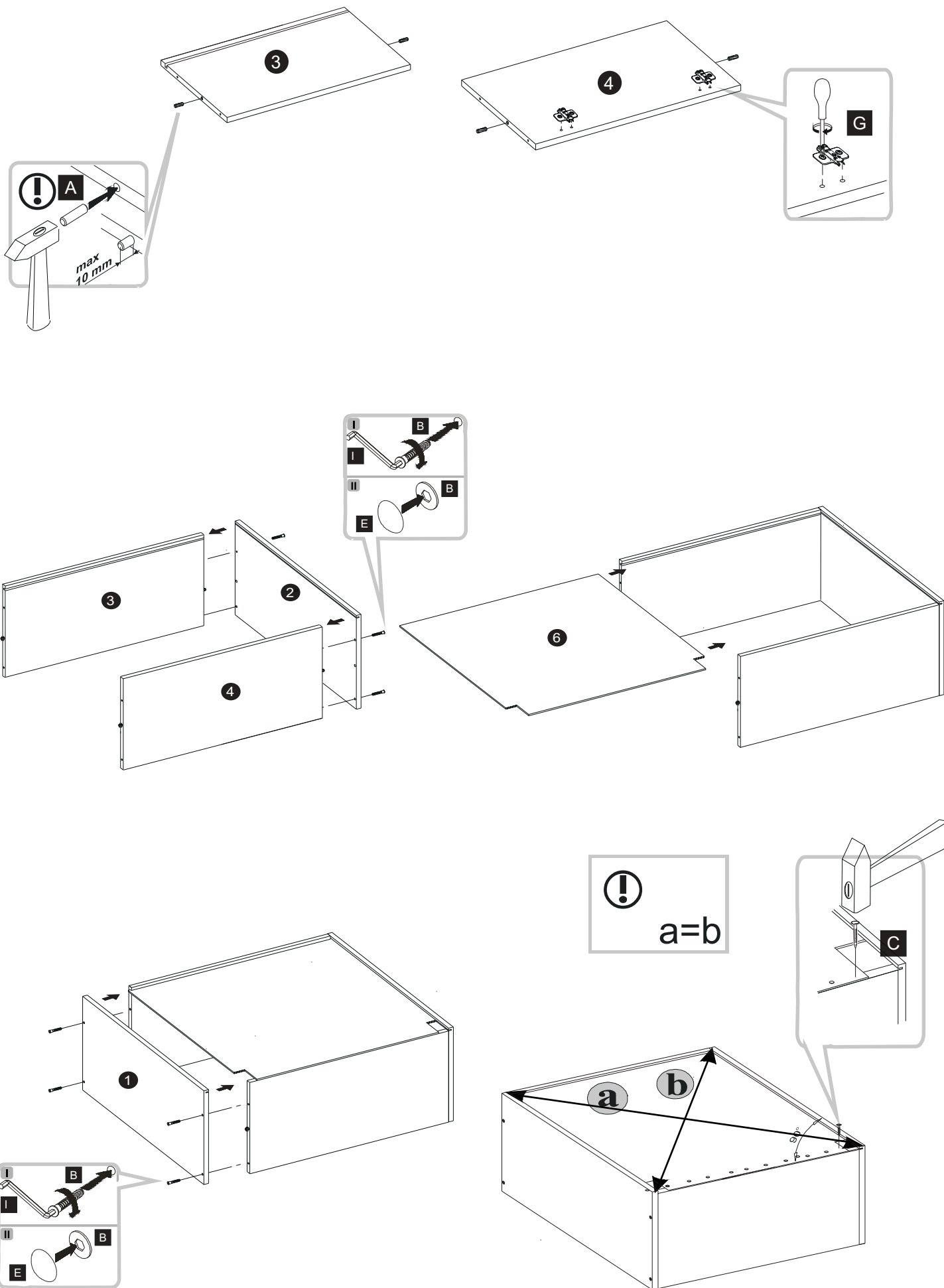


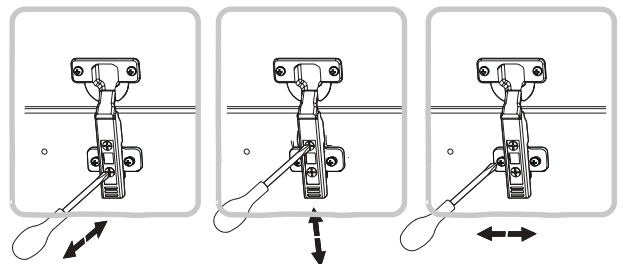
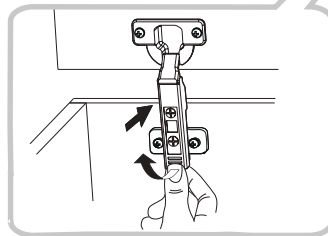
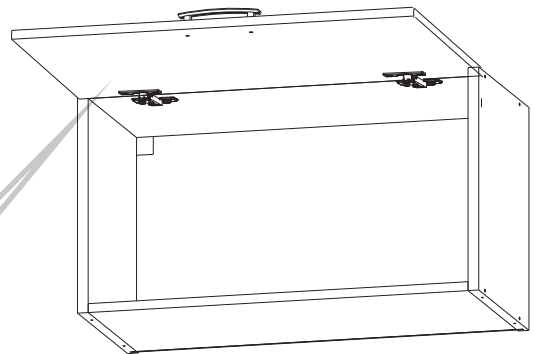
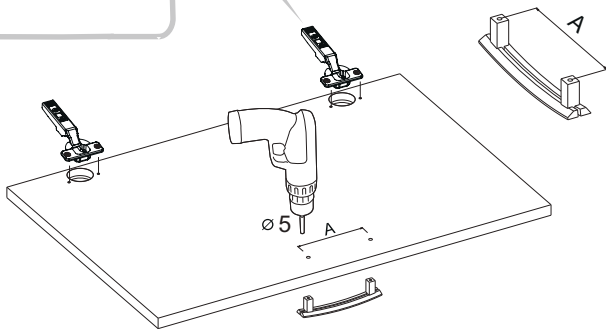
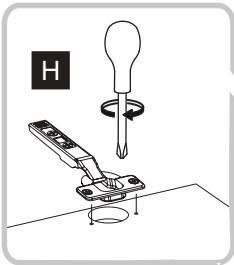
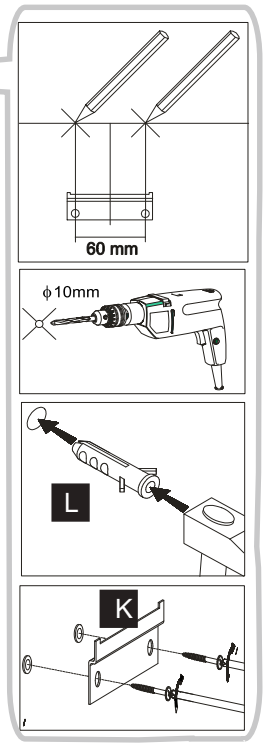
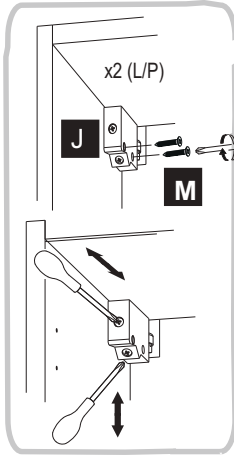
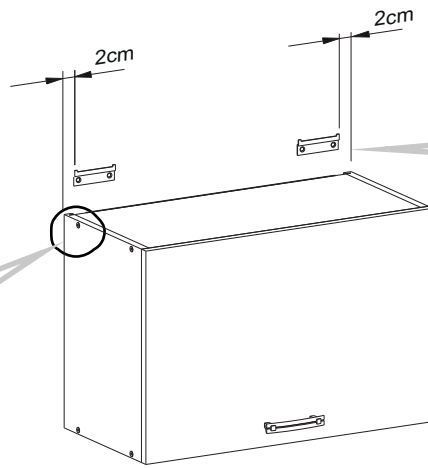
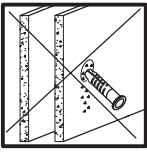
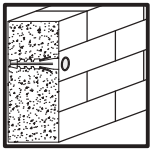


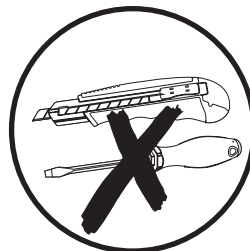
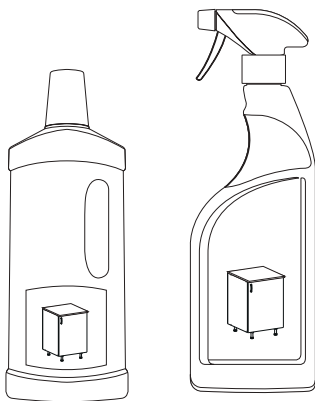
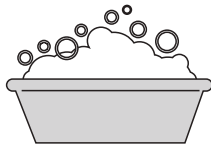
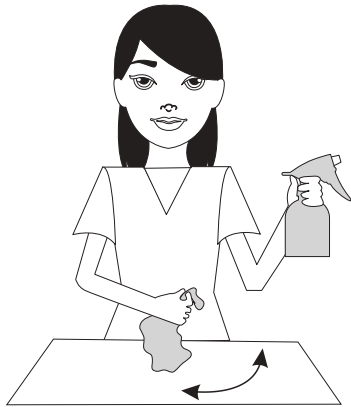
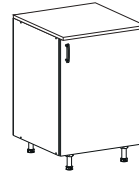
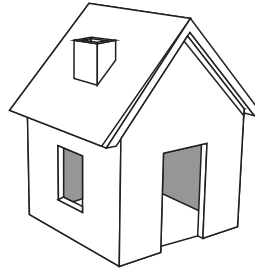
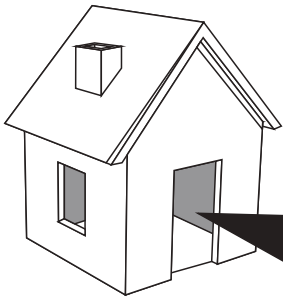


| | DŁUGOŚĆ LENGTH LONGUEUR | SZEROKOŚĆ WIDTH BREITE LARGEUR | GRUBOŚĆ THICKNESS STÄRKE GROSSEUR | ILOŚĆ QUANTITY ANZAHL QUANTITÉ | KOD CODE CODE CODE | PACZKA BOX SCHACHETEL BOÎTE |
|---|-------------------------------|---|--|---|-----------------------------|--------------------------------------|
| 1 | 358 | 560 | 18 | 1 | | |
| 2 | 358 | 560 | 18 | 1 | | |
| 3 | 563 | 559 | 18 | 1 | | |
| 4 | 563 | 539 | 18 | 1 | | |
| 5 | 355 | 596 | 18 | 1 | | |
| 6 | 345 | 581 | 3 | 1 | | |

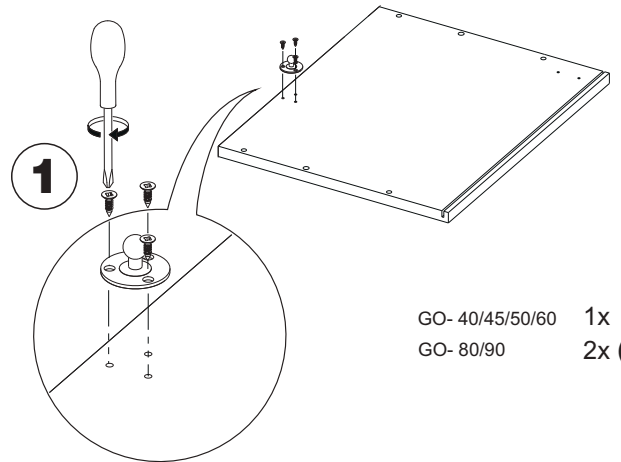
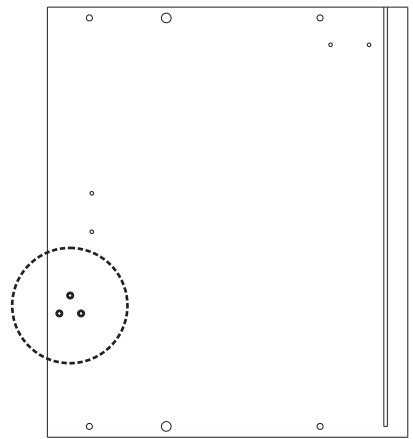
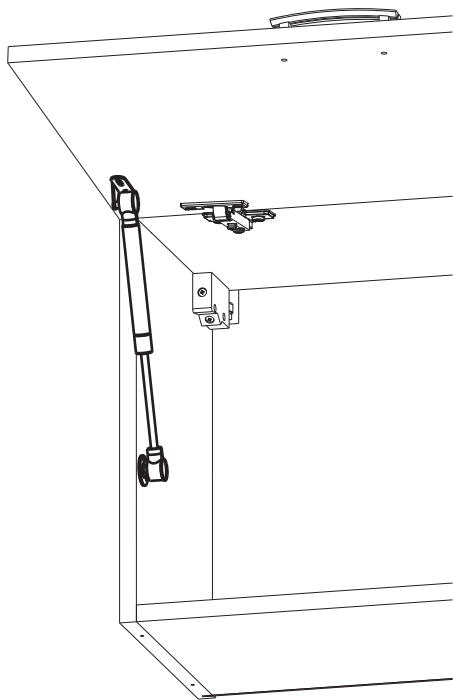




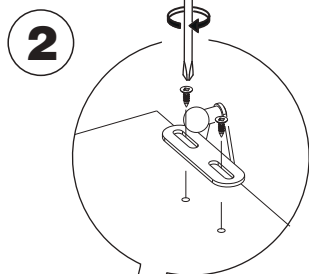
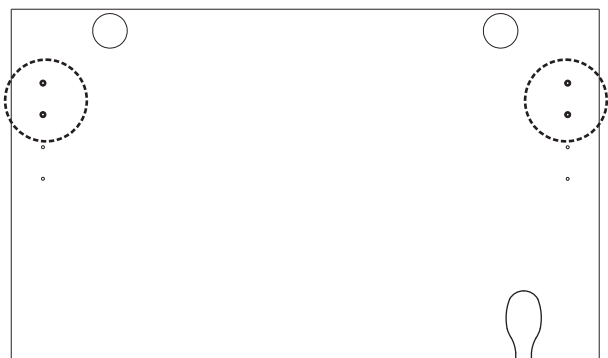




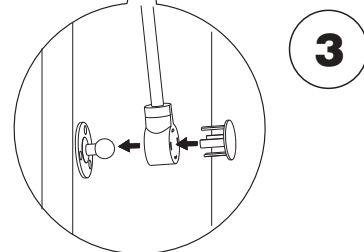
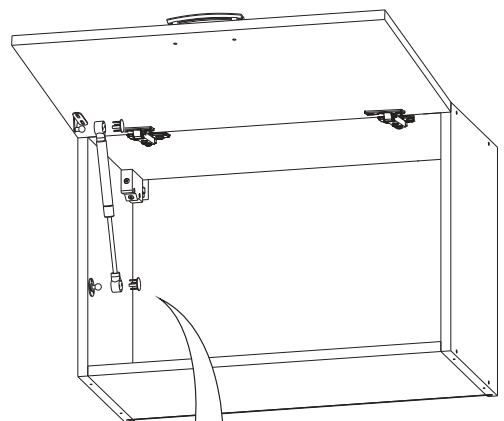
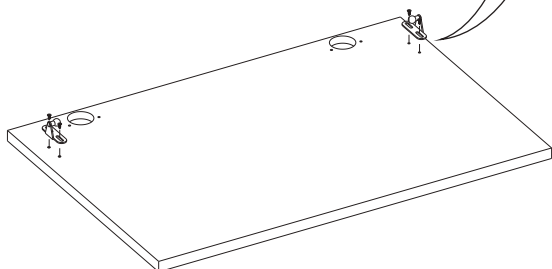
PODNOŚNIK GAZOWY







GO- 40/45/50/60 1x
GO- 80/90 2x (L/P)



GO- 40/45/50/60 1x
GO- 80/90 2x (L/P)

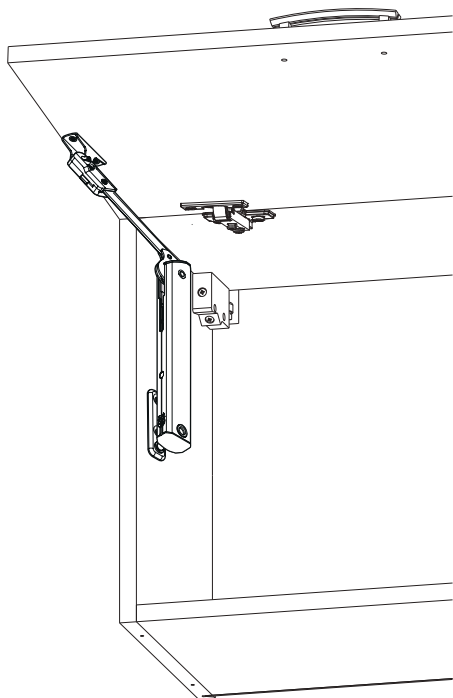


| | | | | |
|-----------------|---|---|---|---|
| GO- 40/45/50/60 | 1x | 1x | 2x | 5x |
| GO- 80/90 | 2x | 2x | 4x | 10x |
| |  |  |  |  |

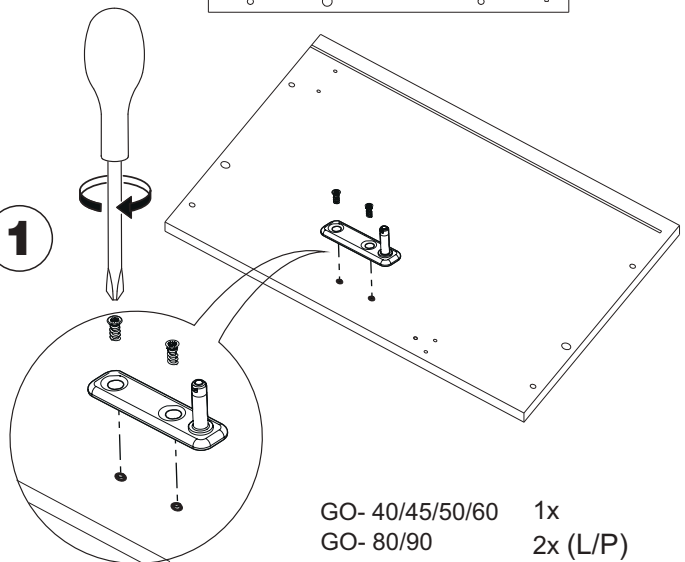
GO- 40/45/50/60 1x
GO- 80/90 2x



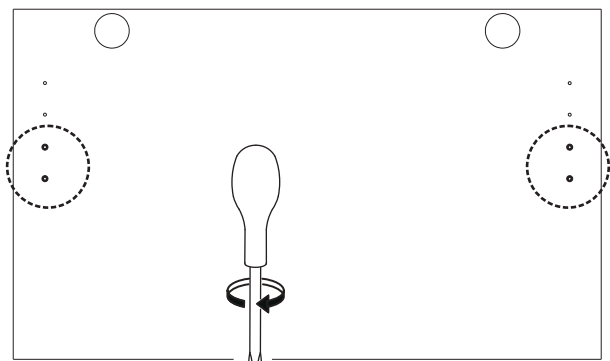
PODNOŠNIK HK XS



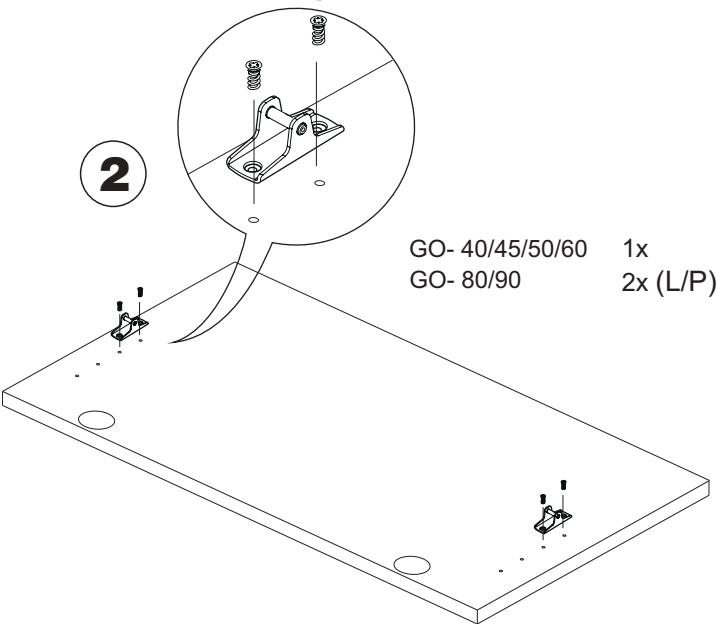
1



GO- 40/45/50/60 1x
GO- 80/90 2x (L/P)

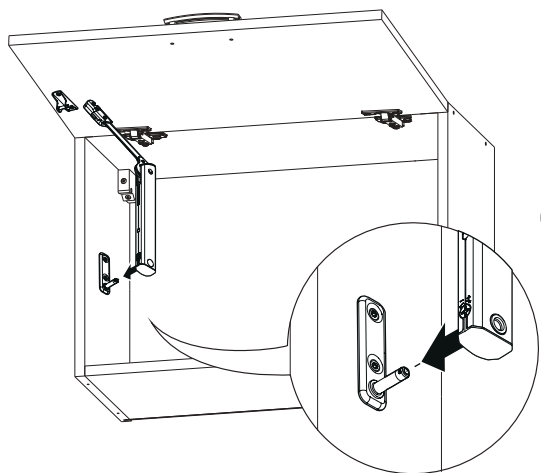


2

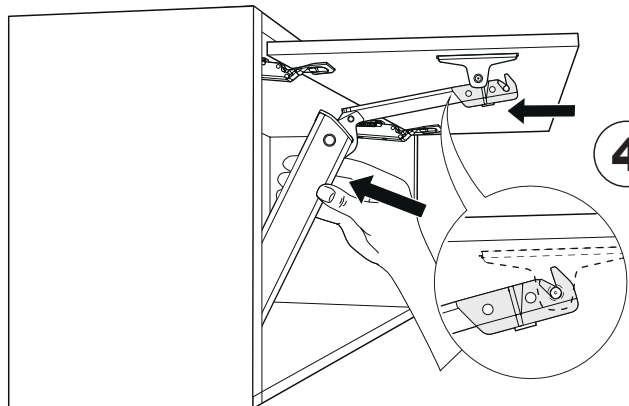


GO- 40/45/50/60 1x
GO- 80/90 2x (L/P)

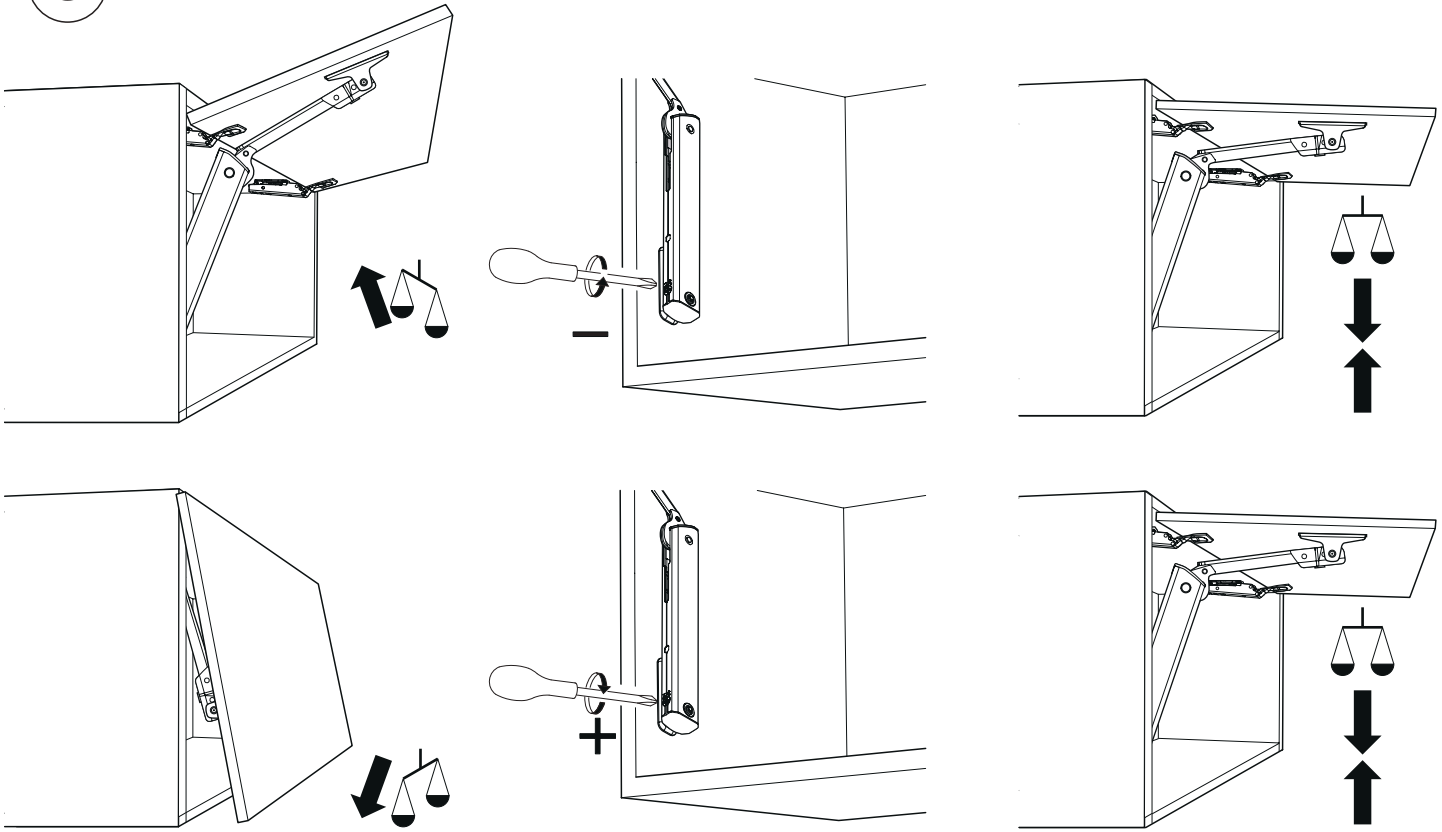
3

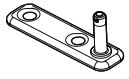
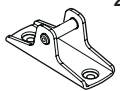

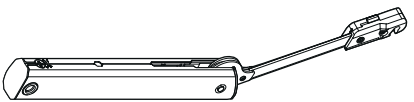


4



5



| | | | |
|-----------------|---|---|---|
| GO- 40/45/50/60 | 1x | 1x | 4x |
| GO- 80/90 | 2x | 2x | 8x |
| |  |  |  |
| GO- 40/45/50/60 | 1x | | |
| GO- 80/90 | 2x | | |
| |  | | |