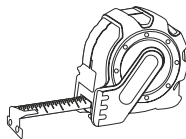
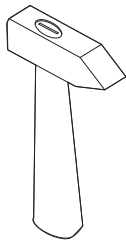
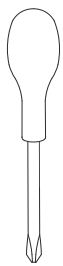
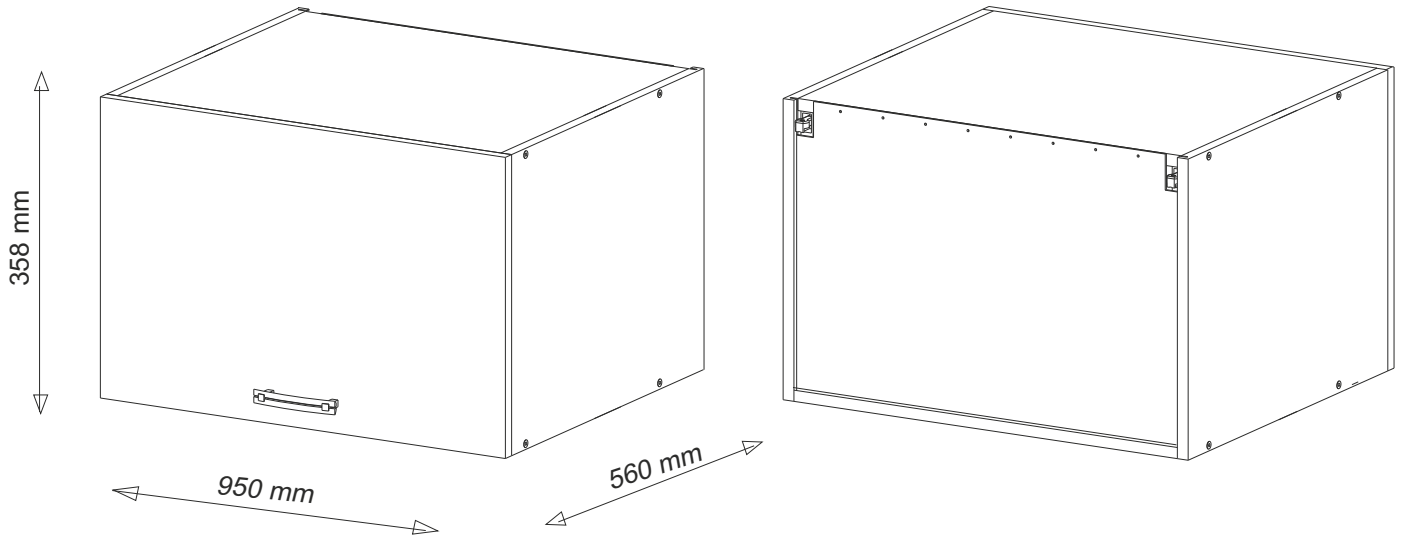
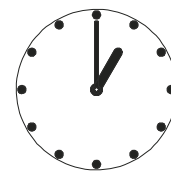
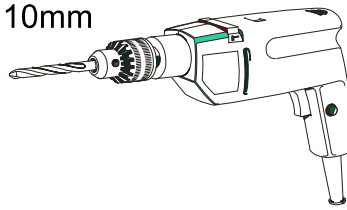


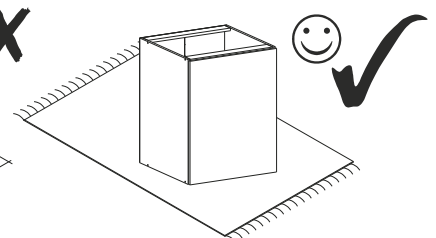
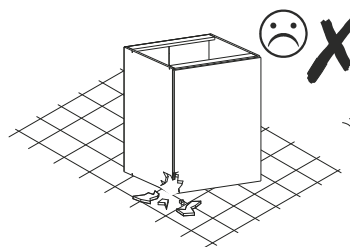
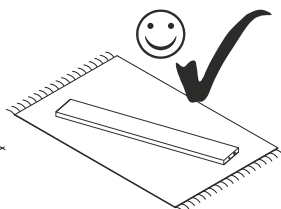
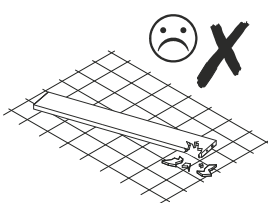
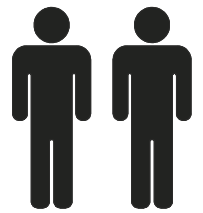
GO-95-GL56

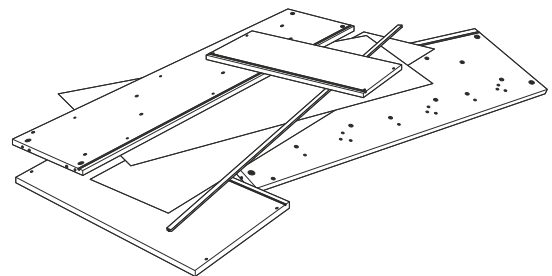
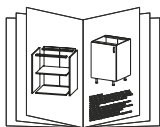
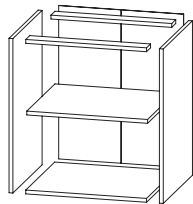
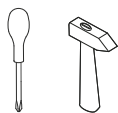
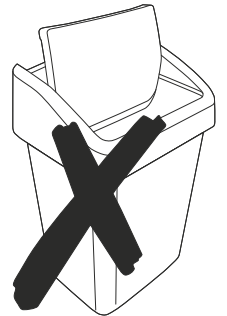
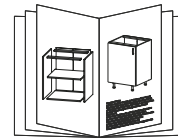
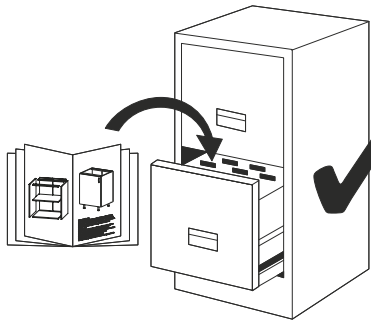
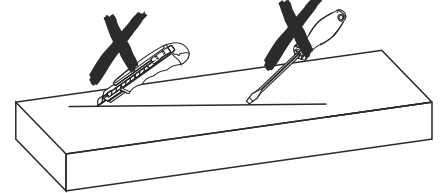
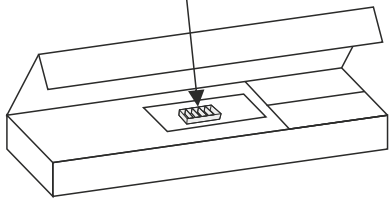
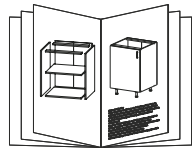


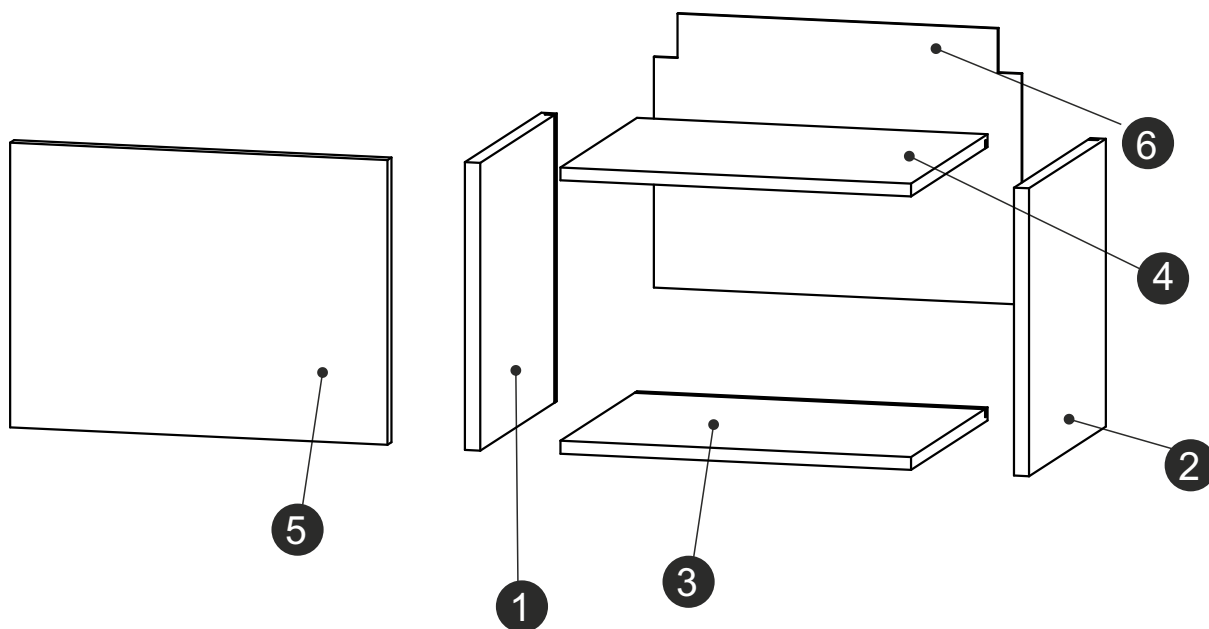
ϕ 5 mm
 ϕ 10 mm



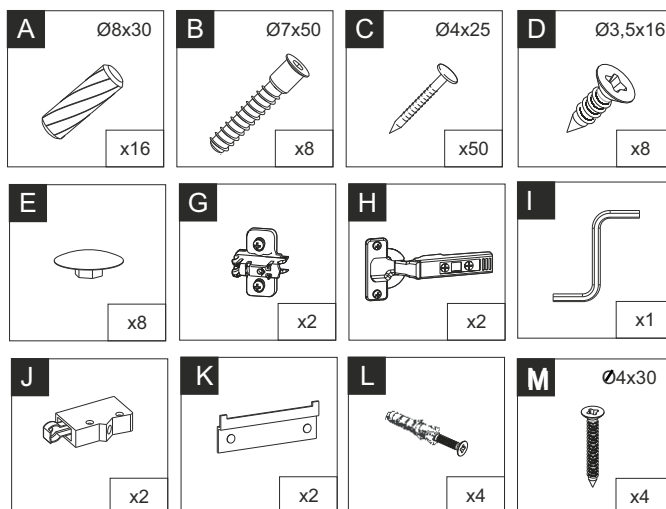
30 min

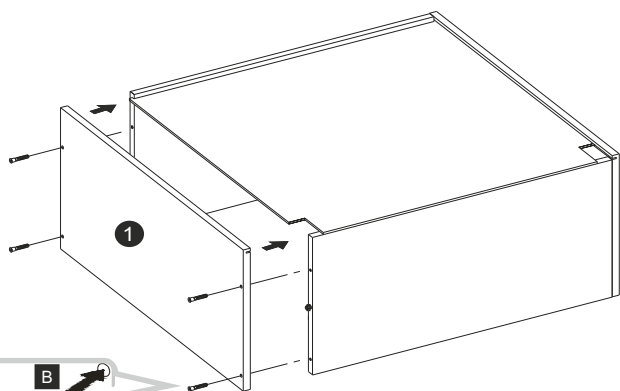
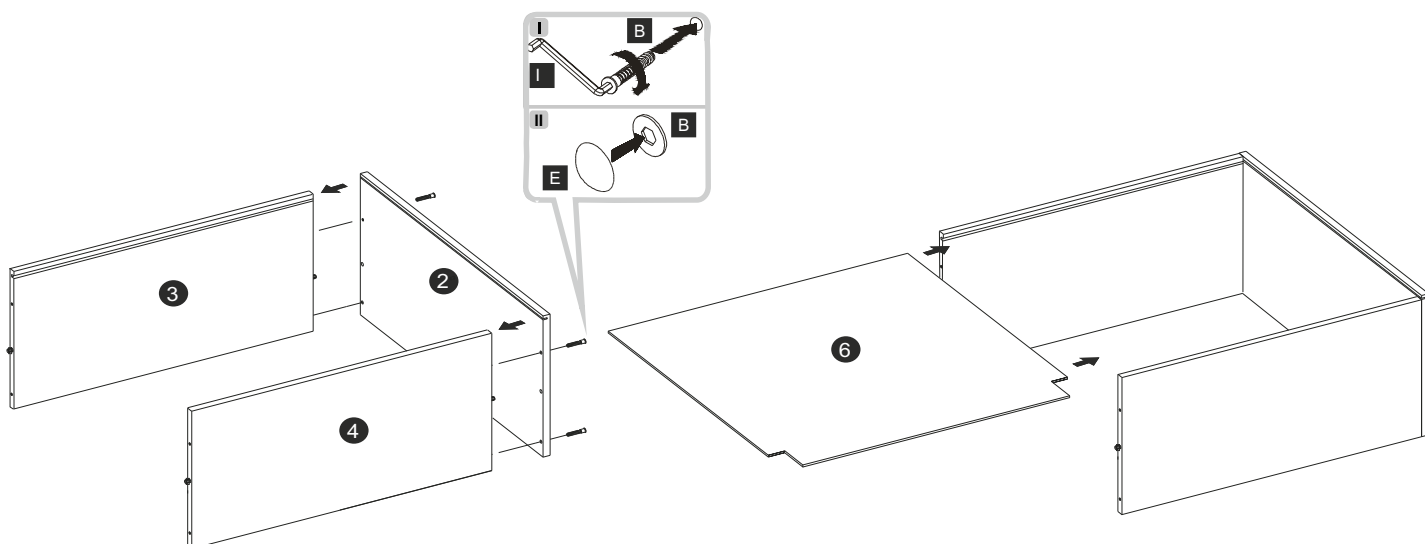
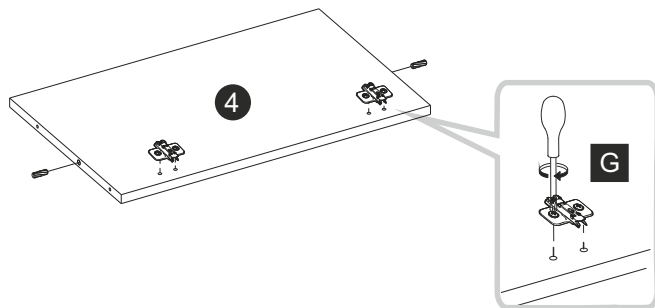
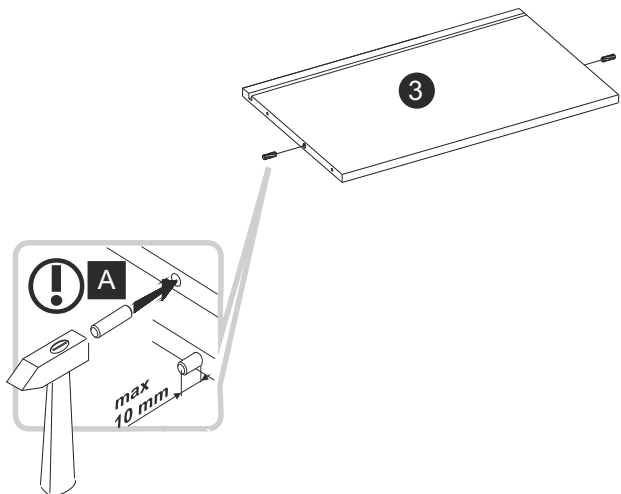




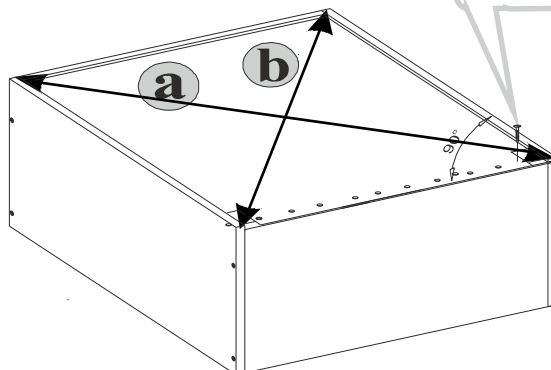
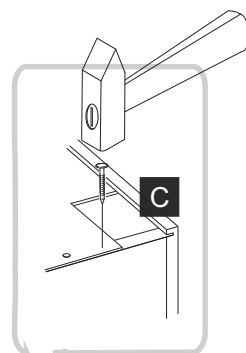


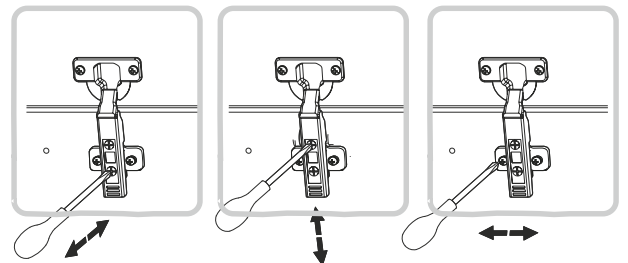
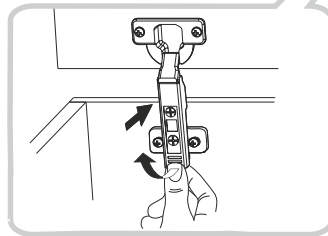
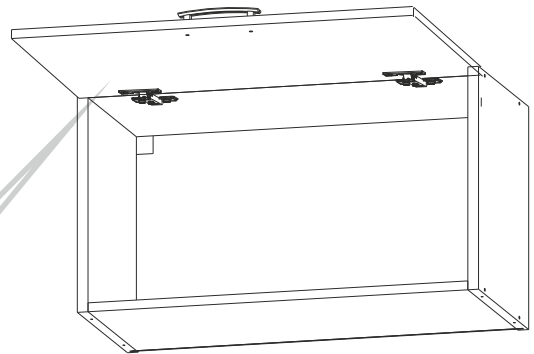
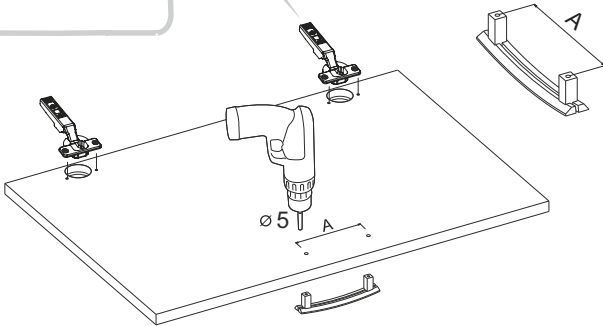
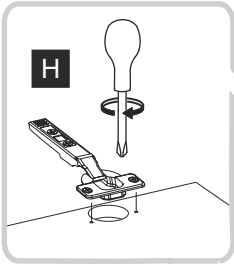
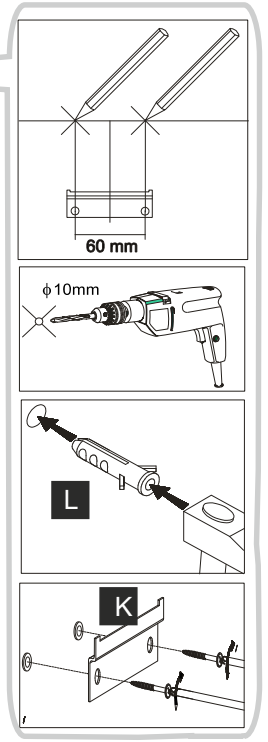
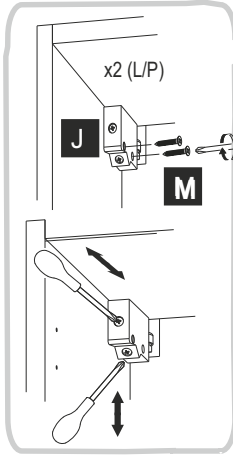
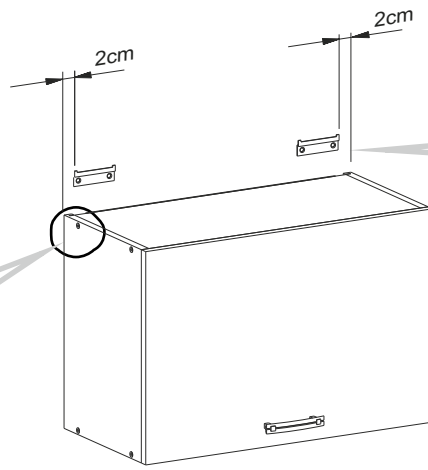
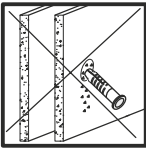
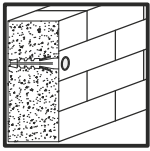
| | DŁUGOŚĆ LENGTH LONGEUR | SZEROKOŚĆ WIDTH LARGEUR | GRUBOŚĆ THICKNESS STÄRKE GROSSEUR | ILOŚĆ QUANTITY ANZAHL QUANTITÉ | KOD CODE CODE CODE | PACZKA BOX SCHACHTEL BOÎTE |
|---|------------------------------|-------------------------------|--|---|-----------------------------|-------------------------------------|
| 1 | 358 | 560 | 18 | 1 | | |
| 2 | 358 | 560 | 18 | 1 | | |
| 3 | 913 | 559 | 18 | 1 | | |
| 4 | 913 | 539 | 18 | 1 | | |
| 5 | 355 | 946 | 18 | 1 | | |
| 6 | 345 | 931 | 3 | 1 | | |

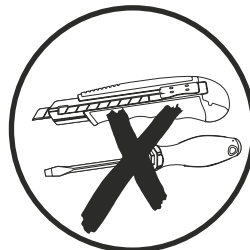
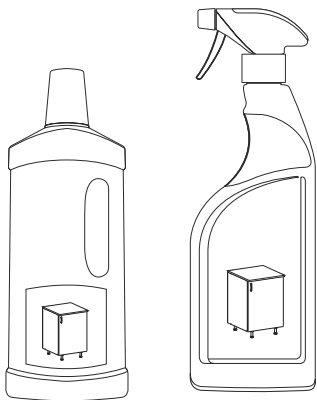
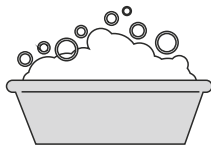
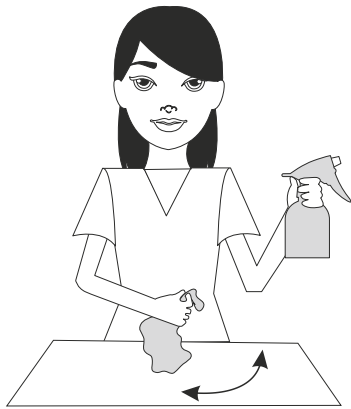
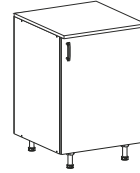
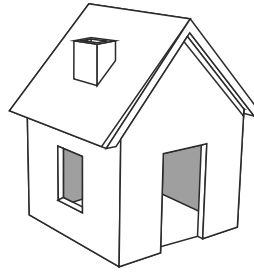
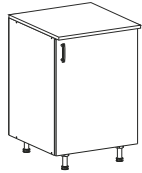
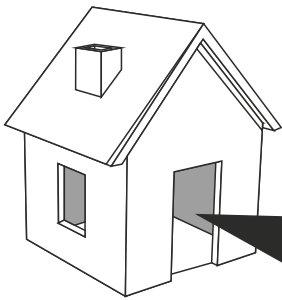




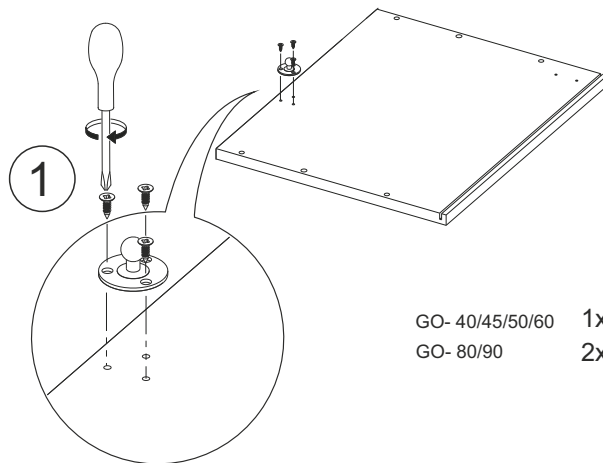
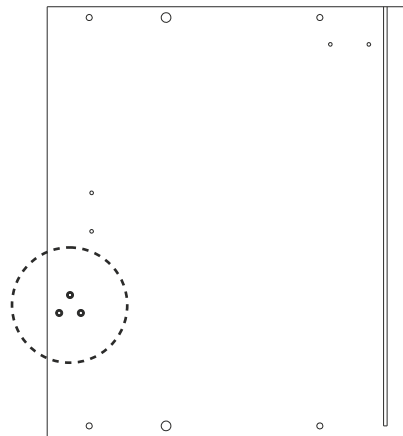
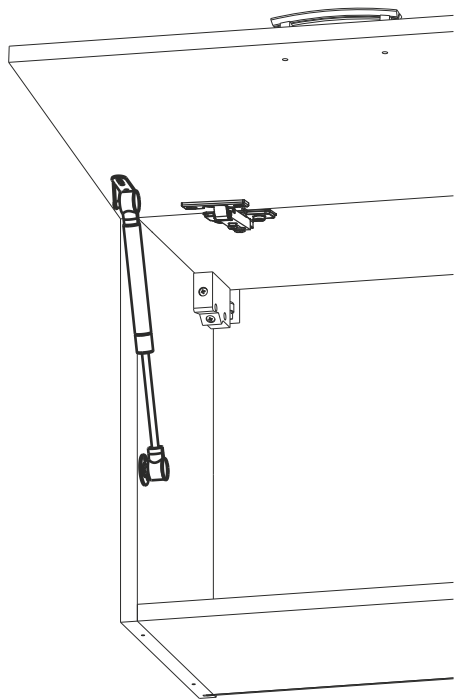
! a=b



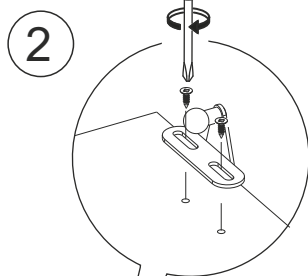
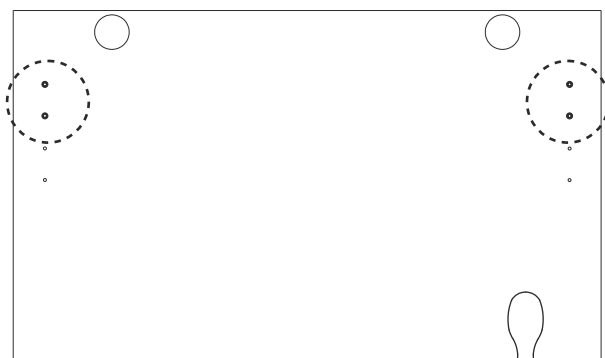




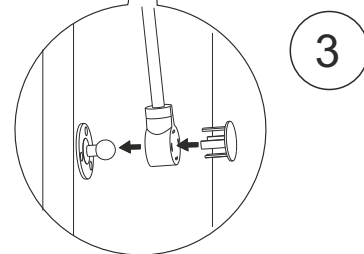
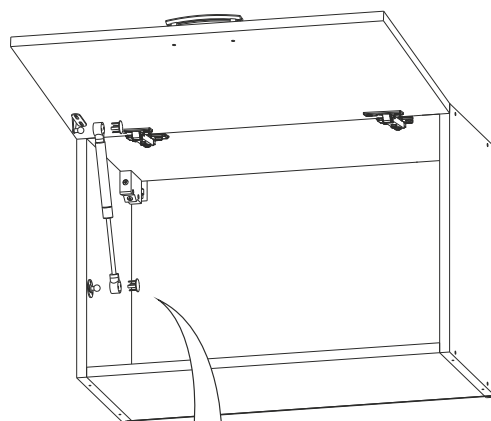
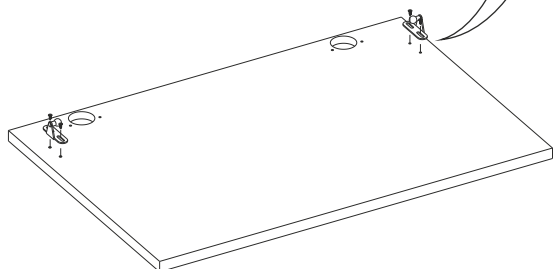
PODNOŚNIK GAZOWY

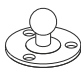





GO- 40/45/50/60 1x
GO- 80/90 2x (L/P)



GO- 40/45/50/60 1x
GO- 80/90 2x (L/P)

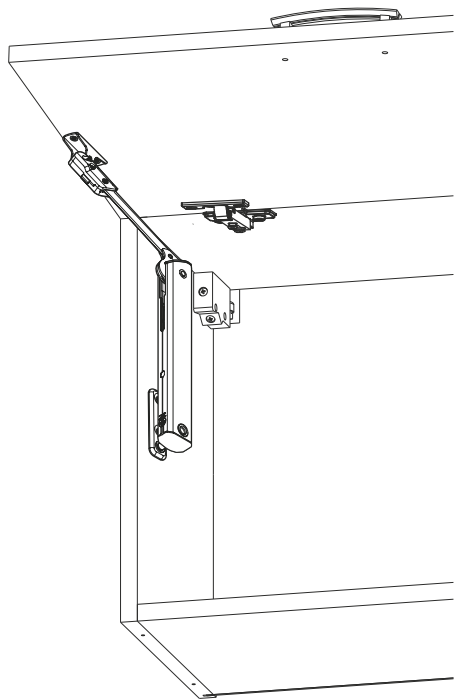


| | | | | |
|-----------------|---|---|---|---|
| GO- 40/45/50/60 | 1x | 1x | 2x | 5x |
| GO- 80/90 | 2x | 2x | 4x | 10x |
| |  |  |  |  |

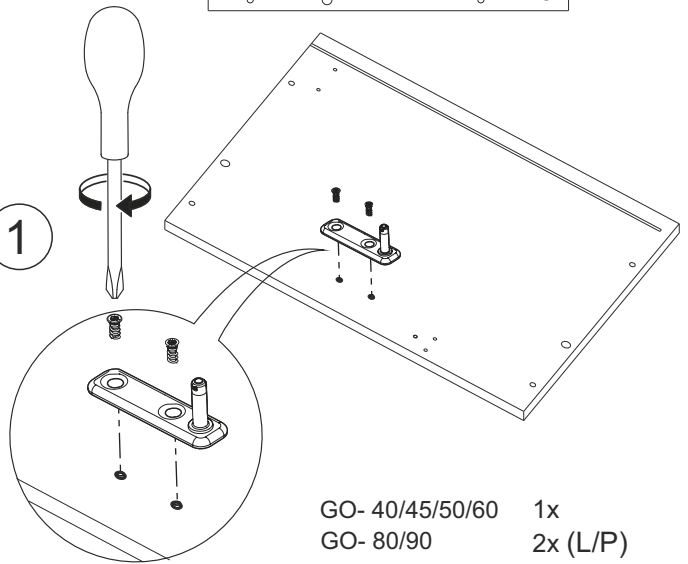
GO- 40/45/50/60 1x
GO- 80/90 2x



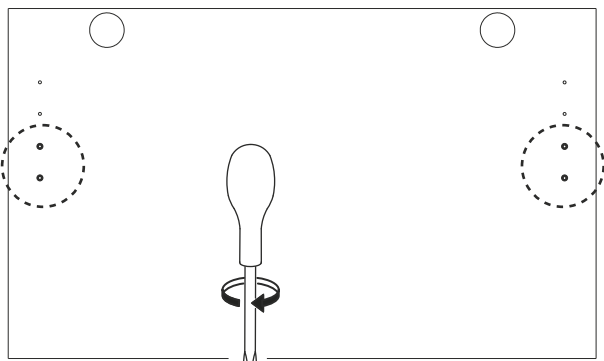
PODNOŠENIK HK XS



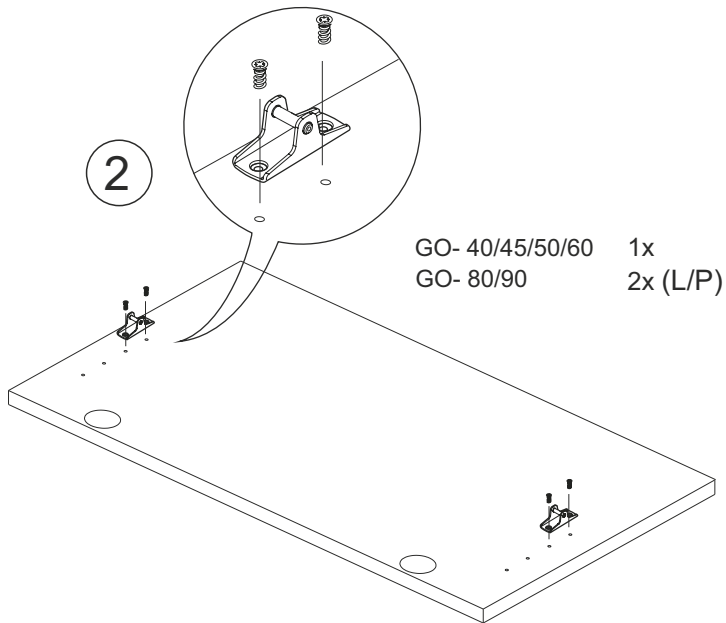
1



GO- 40/45/50/60 1x
GO- 80/90 2x (L/P)

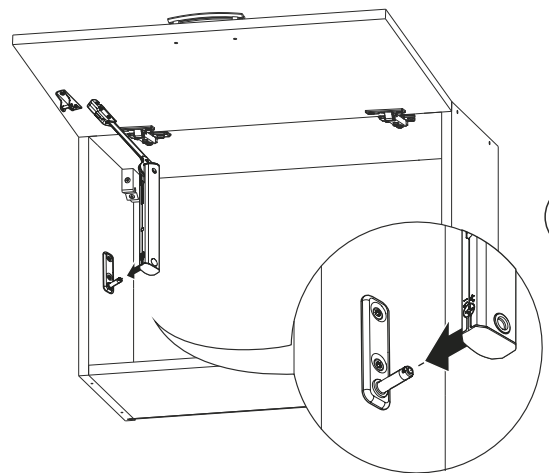


2

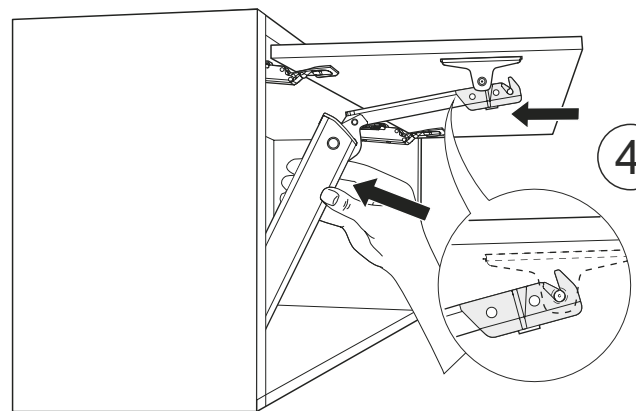


GO- 40/45/50/60 1x
GO- 80/90 2x (L/P)

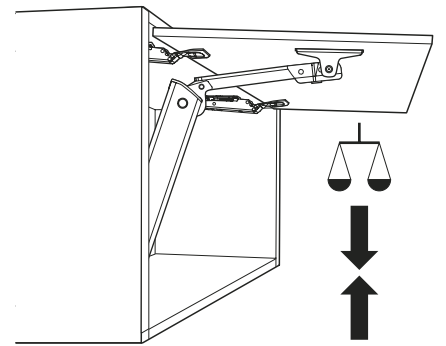
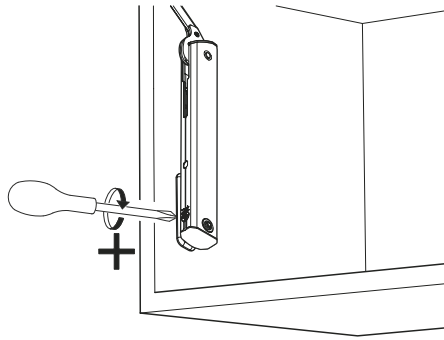
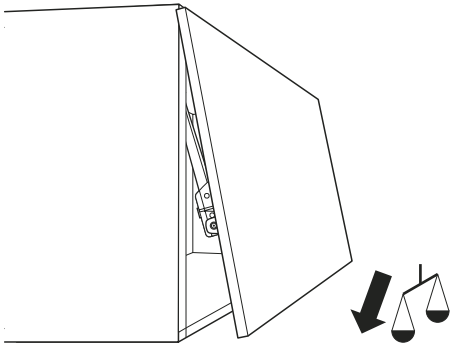
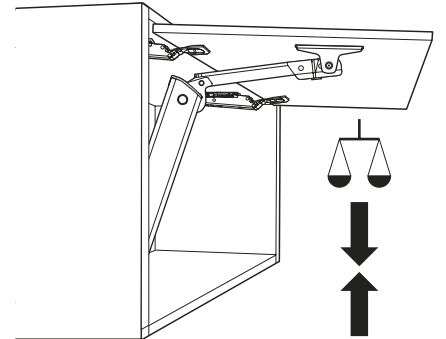
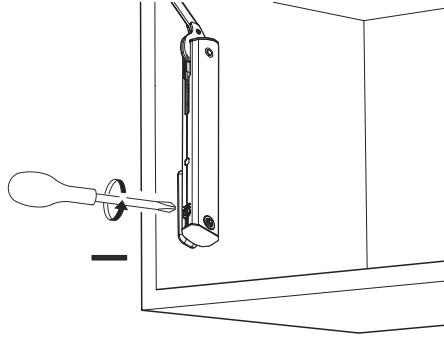
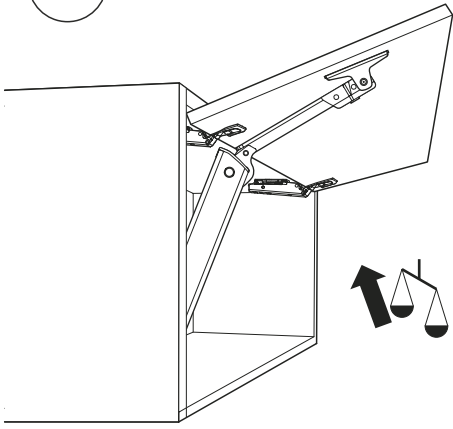
3

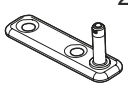
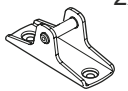

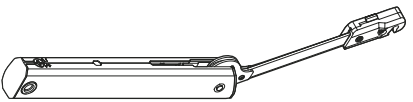


4



5



| | | | |
|-----------------|---|---|---|
| GO- 40/45/50/60 | 1x | 1x | 4x |
| GO- 80/90 | 2x | 2x | 8x |
| |  |  |  |
| GO- 40/45/50/60 | | | 1x |
| GO- 80/90 |  | | 2x |